

Inserta Products, Inc.

BALL VALVES FLANGE PORTED 2 PORT

INSERTA® Flange Ported Ball Valves provide a simple means to install a ball valve in-line between two SAE flanges. Additional INSERTA® components can be “sandwiched” between these ball valves and an SAE flange.

INSERTA® Flange Ported 2-port Ball Valves have two ball seals, one for each port, 0 and 1. The top of the stem has a slot that indicates the direction of the hole through the two-port valve element. When the slot is in line with ports 0 and 1, the valve is open and permits flow between these two ports. When the stem is turned 90 degrees, the slot indicates that these two ports do not communicate and the valve is closed. When the valve is in the closed position the port that sees the higher pressure pushes the ball against the ball seal of the opposing port side. In each case it is the seal on the side of the lower pressure port that creates the ball’s directional control valve seal.

The valve is supplied with a forged offset steel handle. Valve handle kits are packaged separately for mounting by the customer. Standard ball valve handle mounting is with port 0 open to port 1 when the handle is turned counterclockwise. The ports are closed when the handle is subsequently turned clock-wise.

These valves can be used in conjunction with ADAFLANGE™ adapters to provide a variety of in-line male porting options, such as JIC 37-degree male and SAE straight thread connections.



ORDERING INFORMATION

IBFP - A - 6116 - N - D - * - * - *

INSERTA®
BALL VALVE
FLANGE PORTED

DESIGN CODE

- A = NOMINAL PORTING
- B = FULL PORTING - CODE 62
- C = FULL PORTING - CODE 61

MOUNTING PATTERN

- 61 = SAE CODE 61
- 62 = SAE CODE 62

NOMINAL SIZE

- 08 = 1/2
- 12 = 3/4
- 16 = 1
- 20 = 1 1/4
- 24 = 1 1/2
- 32 = 2

PLATING

- * = NONE
- EN = ELECTROLESS NICKEL

HANDLE OPTION

- OS = OFFSET STEEL HANDLE (STANDARD)

STOP PLATE OPTION

- * = STANDARD STOP PLATE
- U = UNIVERSAL LOCKABLE STOP PLATE

SEAL COMPOUND (BALL)

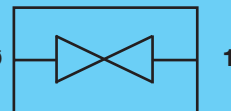
- D = DELRIN (STANDARD)

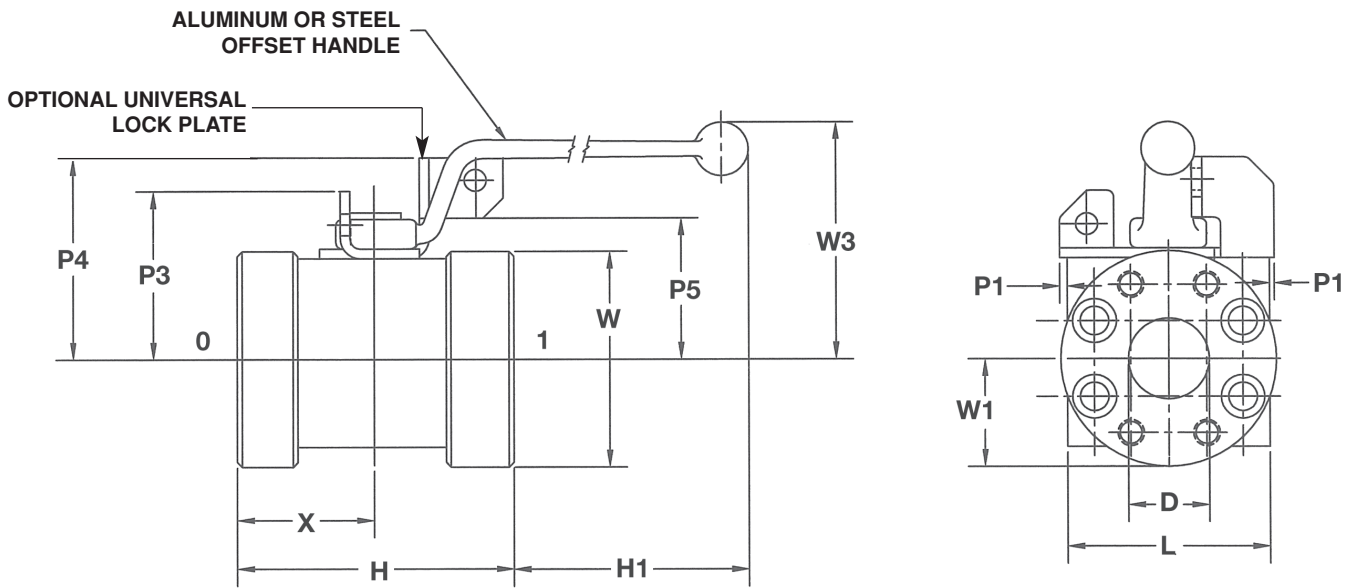
SEAL COMPOUND

- N = BUNA-N (STANDARD)
- V = VITON

Inserta Products, Inc.
Blue Bell, Pa. 19422

BALL VALVES
FLANGE PORTED
2 PORT





IBFP-A CODE 61 AND CODE 62 NOMINAL BALL VALVE DIMENSIONS

PATTERN SIZE	NOMINAL SIZE	D	L	W	H	X	W1	H1	W3	P1	P3	P4	P5
6108	1/2	0.50	2.12	2.37	3.50	1.80	1.19	3.43	2.98	--	--	--	--
6112	3/4	0.75	2.50	3.00	4.00	1.94	1.50	4.77	3.95	0.75	2.50	3.07	2.02
6116	1	1.00	2.75	3.00	4.25	2.14	1.50	4.71	3.90	0.63	2.65	3.22	2.15
6120	1 1/4	1.00	3.00	3.50	4.50	2.25	1.75	4.58	3.90	0.50	2.65	3.22	2.15
6124	1 1/2	1.25	3.75	4.00	5.00	2.55	2.00	6.18	4.39	0.13	3.12	3.75	2.62
6132	2	1.50	4.00	4.50	5.75	2.88	2.25	5.77	4.64	--	3.38	4.01	2.88
6208	1/2	0.50	2.25	2.37	3.50	1.80	1.19	3.43	2.98	--	--	--	--
6212	3/4	0.75	2.75	3.00	4.25	2.07	1.40	4.64	3.76	0.63	2.50	3.07	2.02
6216	1	1.00	3.00	3.00	4.25	2.16	1.50	4.71	3.90	0.50	2.65	3.22	2.15
6220	1 1/4	1.00	3.50	4.00	4.75	2.38	2.00	4.46	3.90	0.25	2.65	3.22	2.15
6224	1 1/2	1.25	4.25	4.50	5.40	2.80	2.25	5.93	4.39	--	3.12	3.75	2.62
6232	2	1.50	5.00	5.50	6.50	3.25	2.50	5.40	4.65	--	3.37	4.00	2.88

IBFP-C CODE 61 AND IBFP-B CODE 62 FULL PORTED BALL VALVE DIMENSIONS

PATTERN SIZE	NOMINAL SIZE	D	L	W	H	X	W1	H1	W3	P1	P3	P4	P5
6108	1/2	0.50	2.25	2.38	3.50	1.80	1.19	3.45	3.04	--	--	--	--
6112	3/4	0.75	2.75	3.00	4.25	2.19	1.50	4.80	3.76	0.63	2.51	3.08	2.02
6116	1	1.00	3.00	3.50	4.25	2.15	1.50	4.76	3.90	0.50	2.65	3.22	2.15
6120	1 1/4	1.25	4.25	4.50	5.50	2.80	2.25	5.93	4.41	0.13	3.12	3.75	2.62
6124	1 1/2	1.50	5.00	5.50	6.50	3.25	2.75	5.40	4.65	--	3.37	4.00	2.88
6132	2	2.00	6.00	7.00	7.00	3.55	3.50	5.21	4.92	--	3.62	4.25	3.13
6208	1/2	0.50	2.25	2.38	3.50	1.80	1.19	3.45	3.04	--	--	--	--
6212	3/4	0.75	2.75	3.00	4.25	2.19	1.50	4.80	3.76	0.63	2.51	3.08	2.02
6216	1	1.00	3.00	3.50	4.25	2.15	1.50	4.76	3.90	0.50	2.65	3.22	2.15
6220	1 1/4	1.25	4.25	4.50	5.50	2.80	2.25	5.93	4.41	--	3.12	3.75	2.62
6224	1 1/2	1.50	5.00	5.50	6.50	3.25	2.75	5.40	4.65	--	3.37	4.00	2.88
6232	2	2.00	6.00	7.00	7.00	3.55	3.50	5.21	4.92	--	3.62	4.25	3.13

Inserta Products, Inc.
Blue Bell, Pa. 19422

**BALL VALVES
FLANGE PORTED
2 PORT**

