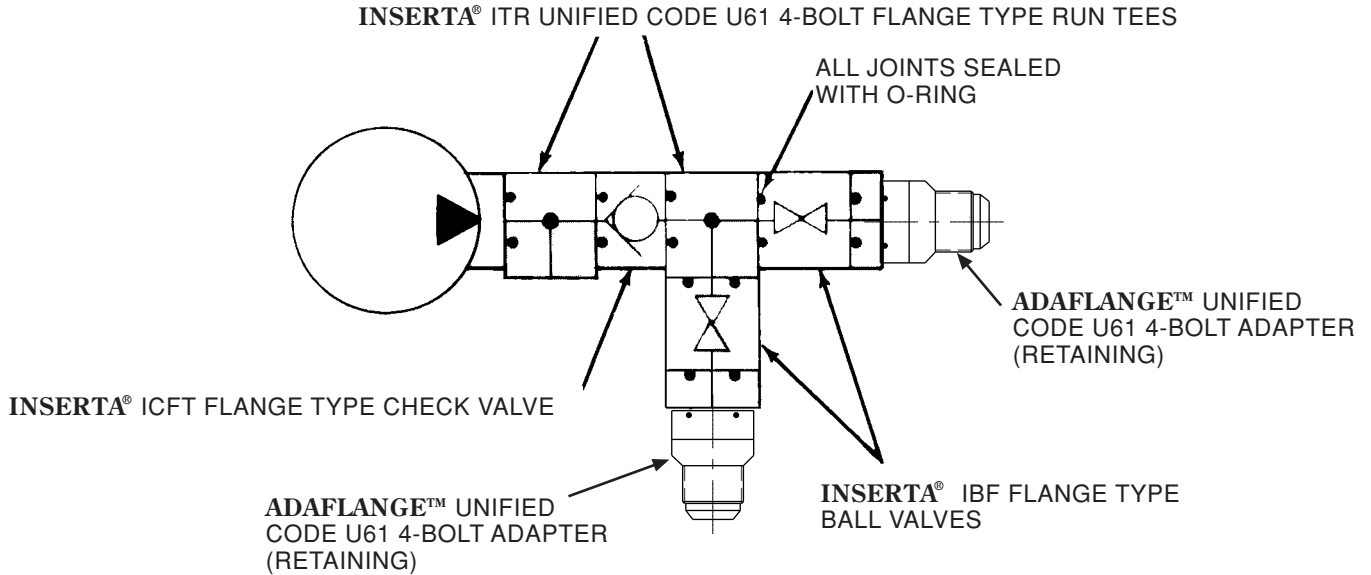


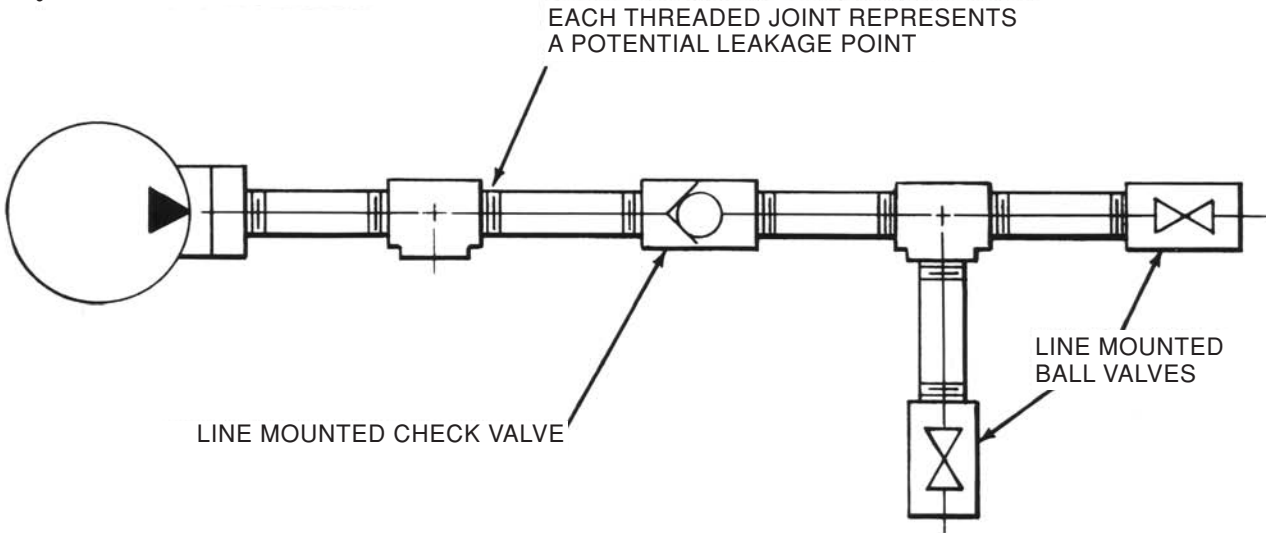
USE THE ADACONN® + INSERTA® ALTERNATIVES

SMALL WRENCHES ONLY
REQUIRED FOR ASSEMBLY



IN PLACE OF THE OLD METHODS OF PIPING

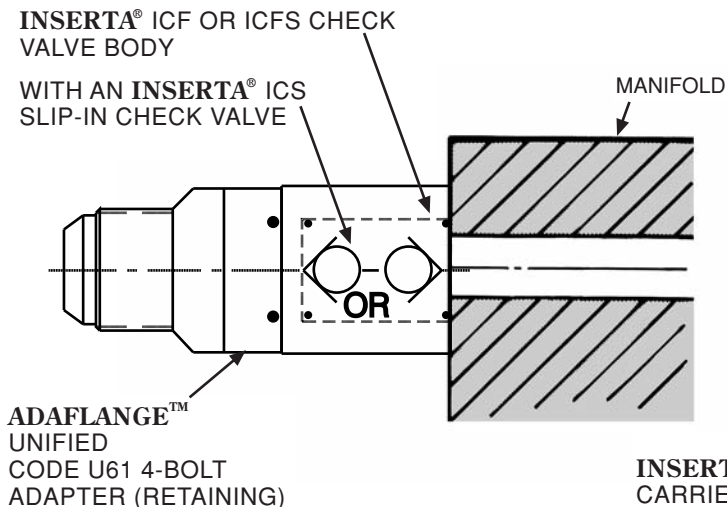
LARGE WRENCHES
REQUIRED FOR ASSEMBLY



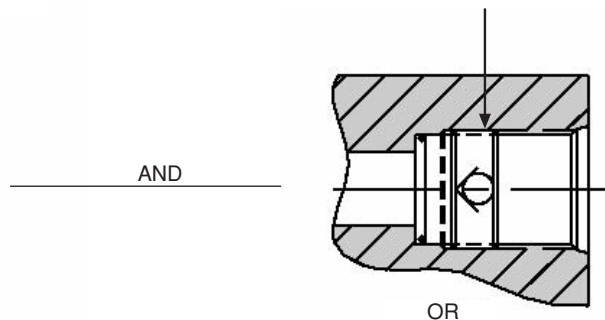
RESULTS - BULKY, LEAK PRONE ASSEMBLY

ADACONN®  INSERTA® Blue Bell, PA 19422	USE THE ADACONN®  INSERTA® ALTERNATIVES		
--	--	--	--

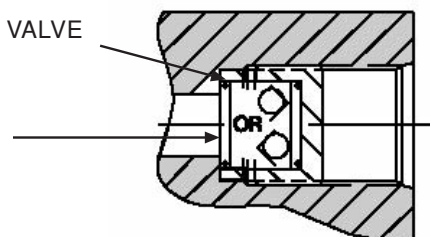
USE THE ADACONN® + INSERTA® ALTERNATIVES



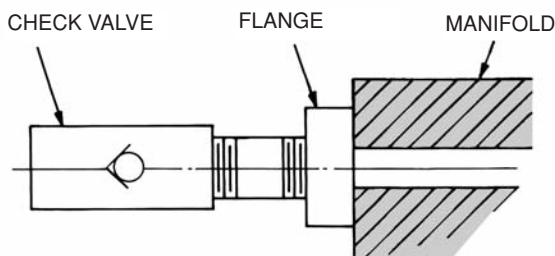
INSERTA® ICT THREAD-IN CHECK VALVE



INSERTA® ICC CHECK VALVE CARRIER WITH AN INSERTA® ICS SLIP-IN CHECK VALVE

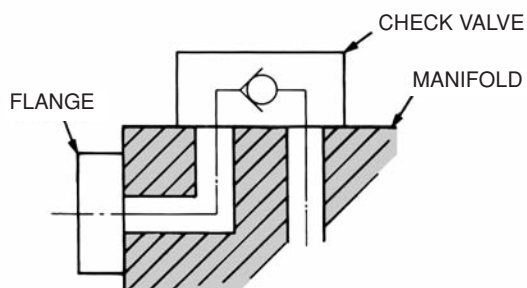


IN PLACE OF THE OLD METHODS



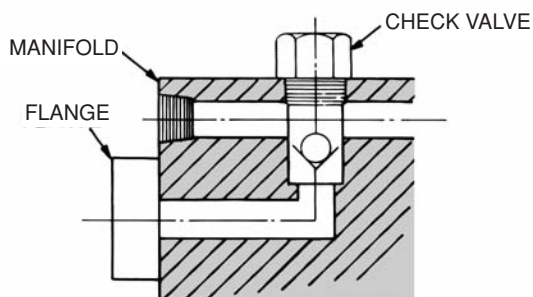
THE ADACONN® + INSERTA® ALTERNATIVE:

- Eliminates Leaks and Bulk associated with Line Mounted Valves.



THE ADACONN® + INSERTA® ALTERNATIVE:

- Eliminates cross drilling and tapped mounting holes required with Surface Mount Valves.



THE ADACONN® + INSERTA® ALTERNATIVE:

- Eliminates form tools, tapping and cross drilling required with Cartridge Type Valves.

<p>ADACONN®  INSERTA® Blue Bell, PA 19422</p>	<p>USE THE ADACONN®  INSERTA® ALTERNATIVES</p>		
--	---	--	--