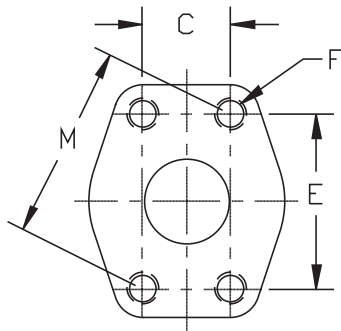


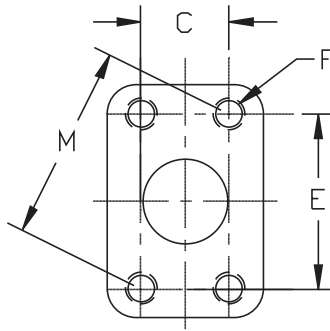
ADACONN® INSERTA®

ADACONN® + INSERTA® UNIFIED CODE U61 4 and 2-Bolt Flange Ports and their corresponding flange connections have characteristics that offer great flexibility and opportunities to save space, time and money, eliminate piping leaks, and add value and integrity to your system.

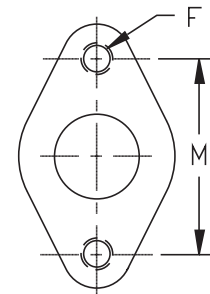
FLANGE PORT BOLT PATTERNS



**SAE
CODE 61 4-BOLT**



**UNIFIED
CODE U61 4-BOLT**



**UNIFIED
CODE U61 2-BOLT**

ADACONN® + INSERTA® UNIFIED CODE U61 4-Bolt Flange Ports have the same bolt patterns as the **SAE CODE 61 4-Bolt Split Flange Ports** i.e. dimensions C and E are the same. The thread sizes of both are also the same. The standard width port spacing for **UNIFIED CODE U61 4-Bolt Flange Ports** is substantially less than the spacing required for **SAE CODE 61 4-Bolt Split Flange Ports**. The **ADAFLANGE™ UNIFIED CODE U61 4-Bolt Adapters** will fit on the **SAE CODE 61 4-Bolt Split Flange Port** spacing, but the **SAE CODE 61 4-Bolt Split Flange Adapters** will overhang the compact **UNIFIED CODE U61 4-Bolt Port** spacing.

ADACONN® + INSERTA® UNIFIED CODE U61 2-Bolt Patterns are similar to the diagonal bolt patterns of the **SAE CODE 61 4-Bolt Ports**, i.e. the “M” dimensions are the same. The thread sizes of the three bolt patterns are similar. The **ADAFLANGE™ UNIFIED CODE U61 2-Bolt Flange Adapters** can be connected to all three of these standard bolt pattern ports.

ADACONN® + INSERTA® UNIFIED CODE U61 4-Bolt Flange Ports should be considered in place of **SAE CODE 61 and CODE 62 4-Bolt Ports**.

ADACONN® + INSERTA® UNIFIED CODE U61 2-Bolt Flange Ports should be considered in place of **SAE CODE 61 4-Bolt Flange Ports**.

ADACONN® + INSERTA® UNIFIED CODE U61 4 & 2-Bolt Flanges have flat clamping seal faces, and should be considered to retain other **INSERTA®** modules.

ADACONN®   INSERTA®
Blue Bell, Pa. 19422

**FLANGE ADAPTERS &
FLANGE PORTS CODE U61
4 & 2-BOLT PATTERNS**

