

# Inserta Products, Inc.

## SPECIALTY FLANGE PLATES

INSERTA® has various proprietary Specialty Flange Plates that gives one great flexibility in the assembly of INSERTA® modular valves and connectors. Specialty Flange Plates for use with INSERTA® **Modular Valves and Connectors, 4-Bolt Flange Type** include Seal Plates with seal and optional integrity support ring, Gender Changer plates, Blanking Plates and Blanking Plates with orifice. An example of each of these is shown below:

### Seal Plate with Seal and optional Integrity Support Ring

INSERTA® Seal Plates are made to locate and provide the proper squeeze on the O-Ring to facilitate sealing on the two joining surfaces. An optional Integrity Support Ring can be added to provide structural support for the two joining inner surfaces. This support ring should also be used to eliminate seal damage or loss caused by rapid fluid decompression and/or high line flow forces.

### Gender Changer Plate

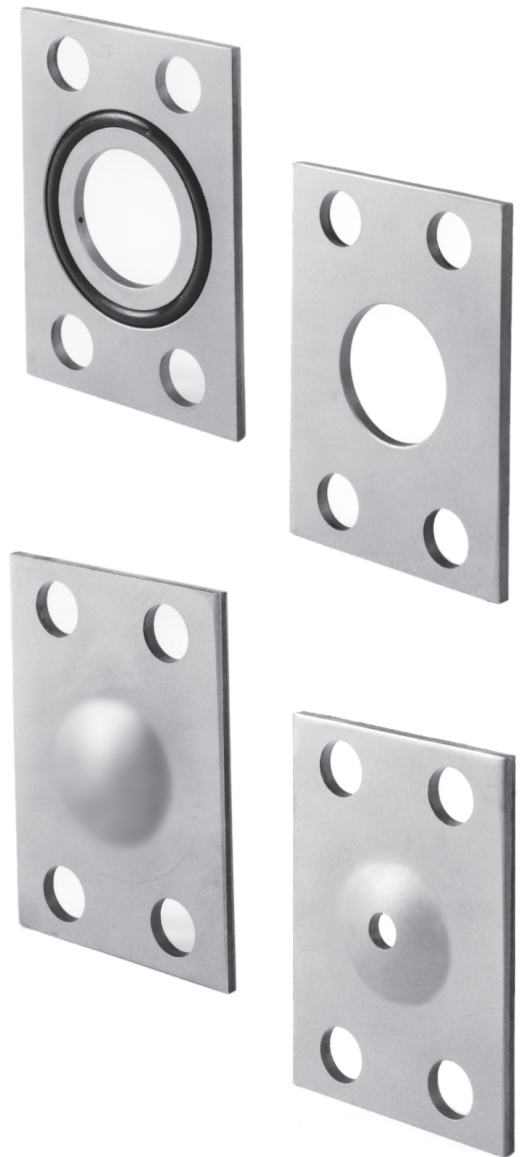
INSERTA® Gender Changer Plates are made with a nominal size center hole. This permits two O-Ring clamp like flange faces to be joined together with their O-Ring's sealing on the opposing Gender Changer plate's surface.

### Blanking Plate

INSERTA® Blanking Plates are made with a dome that induces stresses in the plate that are several times greater than any anticipated fluid's maximum opposing pressure stress. The dome is installed facing the fluid side that is to become pressurized.

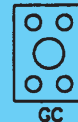
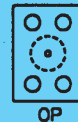
### Orifice Plate

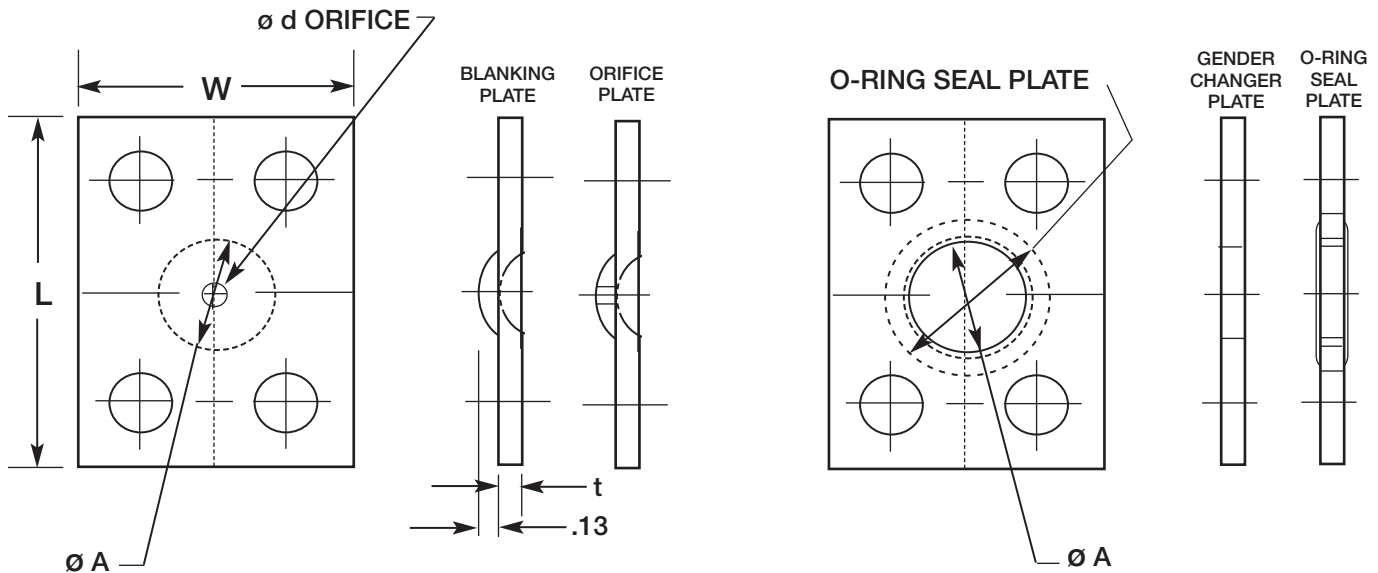
INSERTA® Orifice Plates are Blanking Plates with an orifice in the center of the dome. By facing the dome upstream, this provides a preferred leading center stream sharp edge orifice for fluid flow control.



**Inserta Products, Inc.**  
Blue Bell, Pa. 19422

**SPECIALTY  
FLANGE  
PLATES**

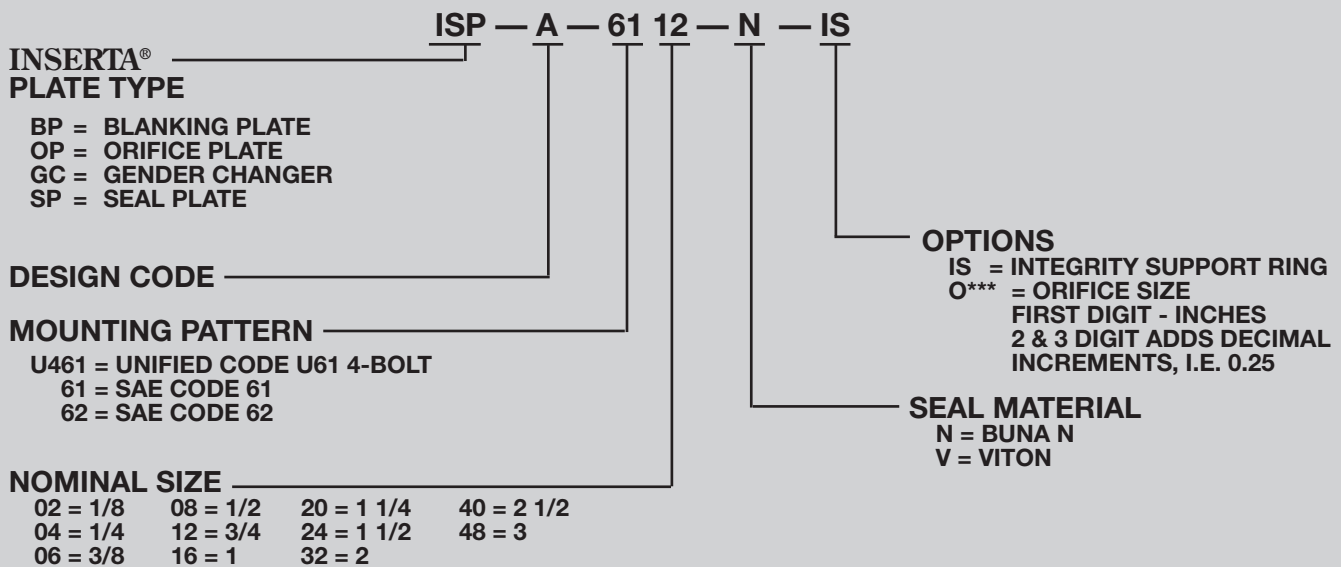




PATTERN SIZE	A DIA.	L	W	t	d* DIA.	O-RING SIZE NO.	PATTERN SIZE	A DIA.	L	W	t	d* DIA.	O-RING SIZE NO.			
U46102	1/8	1.00	.62	.06	CUSTOMER SPECIFIED	010	6208	1/2	2.25	1.50	.11	CUSTOMER SPECIFIED	210			
U46104	1/4	1.25	.75	.06		011	6212	3/4	2.75	1.88			214			
U46106	3/8	1.50	.88	.06		014	6216	1	3.00	2.25			219			
6108	1/2	2.12	1.38	.11		210	6220	1 1/4	3.25	2.50			222			
6112	3/4	2.50	1.75			214	6224	1 1/2	4.25	3.00			225			
6116	1	2.75	2.00			219	6232(1)	2	5.00	4.00			.24	228		
6120	1 1/4	3.00	2.25			222	6240(2)	2 1/2	6.75	4.25			.11	N/A	232	
6124	1 1/2	3.75	2.75	.24		225	6248(2)	3	8.50	5.25			.11	N/A	237	
6132(1)	2	4.00	3.25			228	*MIN. $\phi$ = .016									
6140(2)	2 1/2	4.50	3.50			.11									N/A	232
6148(2)	3	5.25	4.25	.11	N/A	237										

- (1) t = .11 for seal plate and gender changer.
- (2) Sizes 6\*40 & 6\*48 are not available in blanking or orifice plates.

### ORDERING INFORMATION



**Inserta Products, Inc.**  
 Blue Bell, Pa. 19422

**SPECIALTY  
 FLANGE  
 PLATES**

