

Inserta Products, Inc.

BALL VALVES FLANGE TYPE 2-PORT STAINLESS STEEL

INSERTA® Flange type, 2-Port, Ball Valves, Stainless Steel, can be installed on or between other components such as pumps, motors, actuators, filters, valves, and manifolds using an SAE 4-Bolt flange or other clamping device. Consider the use of an INSERTA® IFRA Rotational Retainer in order to make a captive assembly.

The metallic elements of the valve are primarily made from 2205 Duplex Stainless Steel and 316 Stainless Steel* for high pressure service in corrosive environments, or with fluid media that would typically be incompatible with the standard materials of the INSERTA® IBF Flange Type 2-Port Ball Valves.

INSERTA® Flange Type, 2-Port Ball Valves, Stainless Steel, have two ball seals, one for each port (i.e. for ports 0 and 1). When the valve is in the closed position the port that is subject to the higher pressure urges the ball against the ball seal on the opposing port side. In each case it is the seal on the side of the lower pressure port that creates the ball's directional control valve seal.

Each valve is provided with an offset stainless steel handle. A universal lockable stop plate is available as an option.

Screw clearance holes are compatible with either metric or UN fasteners.

Maximum working pressures indicated are for a 4:1 safety factor to burst.

*Valve handle mounting screw and washer (for valve handle) and stop pin (for stop plate/lock plate) are made from 18-8 stainless steel.



ORDERING INFORMATION

IBF - D - 6116 - N - D - * - SS - *

INSERTA®
BALL VALVE
FLANGE TYPE 2-PORT
STAINLESS STEEL

DESIGN CODE

MOUNTING PATTERN

61 = CODE 61
62 = CODE 62

NOMINAL SIZE

16 = 1
20 = 1 1/4
24 = 1 1/2
32 = 2

HANDLE OPTION
OS = OFFSET STAINLESS
STEEL HANDLE
(STANDARD)

BODY MATERIAL
SS = STAINLESS STEEL

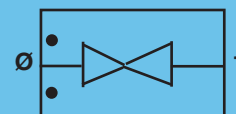
STOP PLATE OPTION
* = STANDARD STOP PLATE
U = UNIVERSAL LOCKABLE
STOP PLATE (Sizes 12-32)

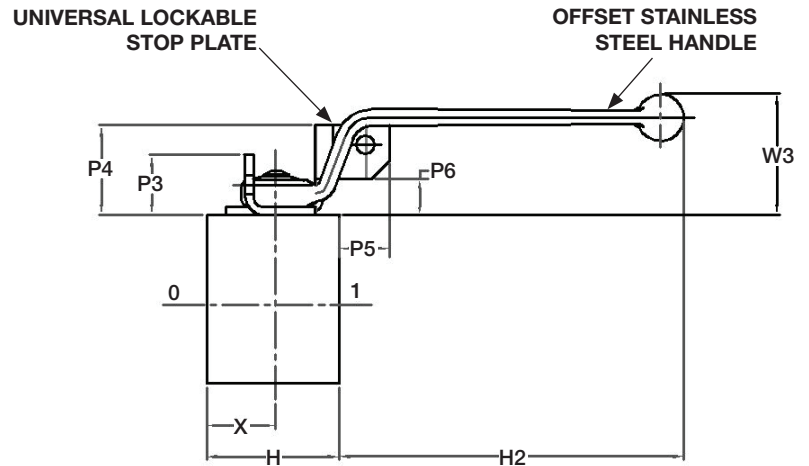
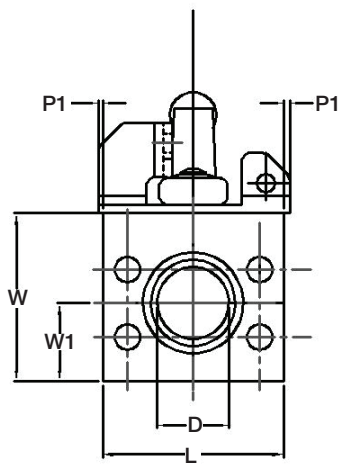
SEAL COMPOUND (BALL)
D = DELRIN (STANDARD)

SEAL COMPOUND
(STEM & FACE SEAL)
N = BUNA N (STANDARD)
V = VITON

Inserta Products, Inc.
Blue Bell, Pa. 19422

BALL VALVE
FLANGE TYPE
2-PORT
STAINLESS STEEL





CODE 61 – 2-PORT

PATTERN SIZE	NOMINAL SIZE	D	L	W	H	X	W1	H2	W3	P1	P2	P3	P4	P5	P6	MAXIMUM WORKING PRESSURE (PSI)
6116	1	1.00	2.75	2.50	2.00	1.01	1.10	5.84	2.50	.63	1.01	1.25	1.82	1.04	0.75	4600
6120	1 1/4	1.00	3.00	2.75	2.25	1.13	1.35	5.71	2.50	.50	.88	1.25	1.82	0.91	0.75	4000
6124	1 1/2	1.25	3.75	3.50	2.75	1.42	1.63	7.31	2.52	.13	.67	1.25	1.88	1.06	0.75	3000
6132	2	1.50	4.00	4.00	3.50	1.75	1.88	6.90	2.52	--	.25	1.25	1.88	.064	0.75	3000

CODE 62 – 2-PORT

PATTERN SIZE	NOMINAL SIZE	D	L	W	H	X	W1	H2	W3	P1	P2	P3	P4	P5	P6	MAXIMUM WORKING PRESSURE (PSI)
6216	1	1.00	3.00	2.75	2.00	1.03	1.35	5.84	2.50	.50	1.03	1.25	1.82	1.06	0.75	5000
6220	1 1/4	1.00	3.50	2.75	2.25	1.13	1.35	5.71	2.50	.25	.88	1.25	1.82	.091	0.75	5000
6224	1 1/2	1.25	4.25	3.75	2.75	1.42	1.88	7.31	2.52	--	.67	1.25	1.88	1.06	0.75	5000
6232	2	1.50	5.00	4.38	3.50	1.75	2.25	6.90	2.52	--	.25	1.25	1.88	.064	0.75	5000

Fastener Mounting Patterns conform to the SAE Standard J518 Parts 1 and 2.
 Temperature range is -22°F (-30°C) to 175°F (80°C).
 Operating medium is hydraulic fluid.

FACE Ø O-RING SIZES are:

16 = 026 24 = 131
 20 = 125 32 = 228

Inserta Products, Inc.
 Blue Bell, Pa. 19422

**BALL VALVE
 FLANGE TYPE
 2 PORT**

